

DTECH

4K HDMI

KVM extender 60 meters

product description

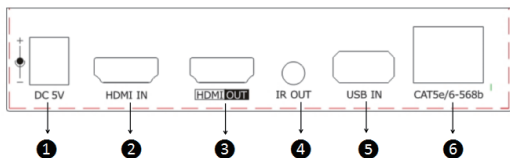
This HD resolution extender consists of a transmitter and a receiver. The transmitter is responsible for signal acquisition and compression, and the receiver is responsible for signal decoding and port allocation. The transmission medium in the middle is high-quality Cat 5e /6 twisted pair cable. The product extends audio and video signals to the remote end through network cables, and can also achieve remote keyboard and mouse control, one transmitter to one receiver. After the product is extended, the remote image restoration effect is clear and natural without obvious attenuation. It also has enhanced lightning protection and anti-interference performance, and has the characteristics of good stability and clear image. It is widely used in computer teaching systems, high-quality multimedia displays, video conferencing, computers, LCD plasma high-definition display venues, digital home theaters, exhibitions, education, finance, scientific research, meteorology and other fields.

2. Product parameters

- (1) Real-time point-to-point transmission of image and audio signals through Cat5e/Cat6e /single shielded/unshielded twisted pair;
- (2) HDMI signal resolution supports 3840*2160@60Hz, supports HDCP2.2 downward compatibility with multiple resolutions, and supports 60-meter long-distance transmission;
- (3) HDMI signal resolution supports 3840*2160@30Hz, supports HDCP1.4 downward compatibility with multiple resolutions, and supports 100-meter long-distance transmission;
- (4) Special compression and decompression of video is used to effectively increase the transmission rate and lower delay to ensure smooth playback and stability;
- (5) Support IR infrared transmission, which can remotely control signal sources or other equipment;
- (6) Support keyboard and mouse remote control;
- (7) Able to automatically identify and configure various display devices;
- (8) Built-in automatic equalization system, the picture is smooth, stable and clear;
- (9) Built-in ESD electrostatic protection circuit to protect system safety in all aspects.

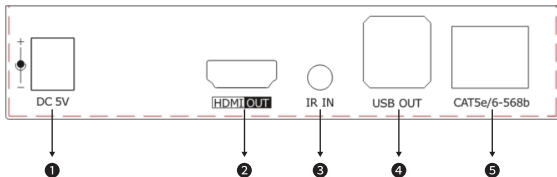
三、Interface Description

(1) Transmitter:



serial num	name	Introduction
①	DC 5V	5V power input interface
②	HDMI IN	HDMI input interface
③	HDMI OUT	HDMI output interface
④	IR OUT	Infrared output interface
⑤	USB IN	USB input interface
⑥	CAT5e/6-568b	Cable interface

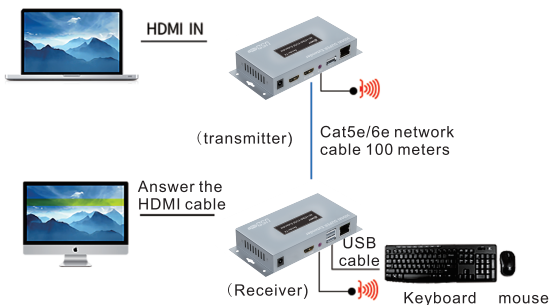
(2) 接收端:



serial numbename	name	Introduction
①	DC 5V	5V power input interface
②	HDMI OUT	HDMI output interface
③	IR IN	Infrared input interface
④	USB OUT	USB output interface
⑤	CAT5e/6-568b	Cable interface

四、Product accessories

- (1) One set of products
 - (2) A pair of IR line
 - (3) USB AM-AM data cable 0.8 meters
 - (4) Two power adapters
 - (5) One user manual
5. Product connection diagram



Product Warranty Card

Customer Information

Model :	
Date of purchase :	
User telephone :	
User address :	
Distributor :	
Agency address :	
User telephone :	Dealer stamp valid

Intenance Records

Repair times	Date	Fault	Treatment measures	Repair work NO.